

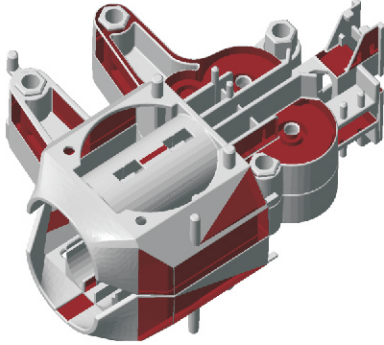


Model Repair Service

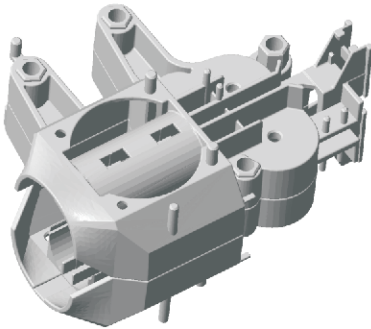
Reduce costs and increase efficiency with automatic data processing for Additive Manufacturing—a cloud based software service tailored for your 3D Printing and Additive Manufacturing business.

netfabb Cloud Services

Automatic file repair with a success rate of over 99%



Before: typical file with mesh errors—visualized in red



After: perfectly printable model

Aspell checker for 3D Printing

netfabb cloud services will save you time and money by taking care of the many common errors in 3D models that otherwise would require manual repair by a dedicated designer. The service closes holes in the model, fixes face normals, removes self-intersections, and more.

Integrated service for your website or app

netfabb's Model Repair Service is the definite solution for 3D Printing and Additive Manufacturing business processes to handle every file that visitors throw at your website, taking away uploading, analysing, fixing headaches.

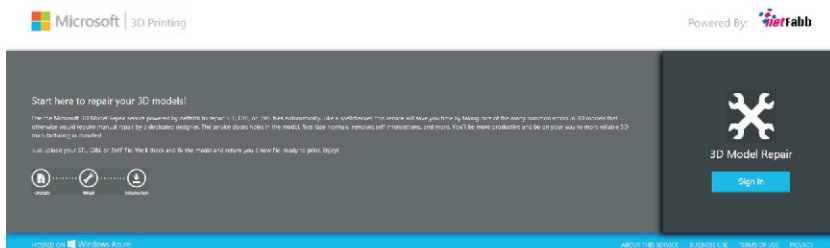
Focus on your core business

Eliminate tasks distracting you from your core business. Ensuring data integrity without interaction is a crucial component of your success and your earning generating workflow.

Improve your customer's experience

- Deliver instant quoting with automatic extraction of part data and thumbnails.
- Avoid the trouble and cost of manually dealing with sorting of files, verification of printability and repair of broken geometries for production.
- Implement your custom pricing based on correct part volume, surface area, support volume, and more.
- Connect to your ERP system, and enhance your internal processes with an easy to use cloud solution.

Microsoft® Model Repair



Repair your 3D models!

For non-commercial purposes, use the free Microsoft® Model Repair service at <https://modelrepair.azurewebsites.net>.

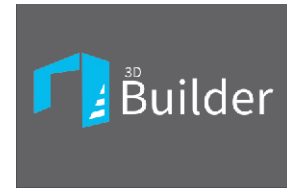
Use your Microsoft® account to upload and repair STL, OBJ and 3MF files within seconds—and forget about all file troubles you might experience with your personal 3D printer.

Create a profitable business

netfabb will improve your daily workflow

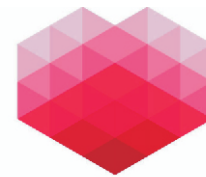
Automate your processes

The service can automatically address a large amount of files that normally would have to be handled manually. It will reduce your costs while improving your speed of handling, quality, and review of the 3D Printing data.



Benefit from our expertise

netfabb model repair is the most widely used file fixing system within the 3D Printing industry today. Our core algorithms are tested and refined over many years and have an excellent fixing rate. We can repair most types of defects, whether they come from CAD translation, modeling errors, or even from digital scans.



3D HUBS

Popular services trust and use netfabb

Shapeways, 3D Hubs and the Microsoft® Builder App have successfully used cloud solutions by netfabb for their 3D model uploads for years.



shapeways*

Full scalability

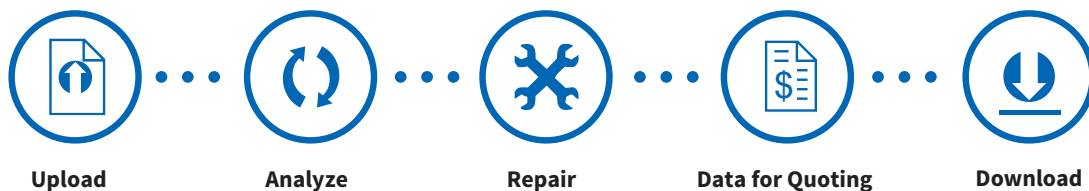
netfabb Model Repair Service is hosted on the Microsoft® Azure cloud computing platform which provides performance, stability and reliability as workloads increase in size and complexity. Avoid the hassle of managing infrastructure by using a proven system.

Secure data handling

All transfers are secured via SSL, and the data is hosted in the Microsoft® Azure Storage environment in the United States. All stored data is anonymized and purged after a certain time period or on



How it works



Fast and smooth integration via REST

netfabb Model Repair Service is easy to implement on your server or website. The service can be accessed via a straight-forward to use REST API. After ordering, we will create your personal account, and you are able to start. Code examples, documentation and libraries are provided in PHP and .NET.

netfabb Model Repair Service

Choose the right package for your business

	Free	Start-up	Small Business	Business	Enterprise	Server Solution
Commercial use	no	yes	yes	yes	yes	
Max file size (MB)	25	50	50	100	100	
Bandwidth max files per day	10	20	60	200	1,200	
File storage limit (GB)	0.5	5	25	50	500	
File storage limit (days)	5	7	30	30	90	
Processing	shared	shared	shared	scalable	scalable	
Reserved instances				4	16	
Integration	Web	API	API	API	API	Server Installation
Functionality						
Model repair	yes	yes	yes	yes	yes	yes
Provision of main file data		yes	yes	yes	yes	yes
Color and texture support			yes	yes	yes	yes
Thumbnail rendering				yes	yes	yes
Wall thickness calculation					yes	yes
Scaling & transformation						yes
Customization						yes
Support						
Service Level Agreement						yes
Priority queue				yes	yes	yes
Phone support			yes	yes	yes	yes
Email support		yes	yes	yes	yes	yes
Billing		quarterly	quarterly	quarterly	quarterly	Ask for quote
Example calculations						
Max per month	300	600	1,800	6,000	36,000	Depends on your infrastructure
Average per day	1	10	30	90	500	
Average per month	30	300	900	2,700	15,000	

Reduce your costs while improving your speed of handling, quality and review of 3D Printing data!

Stop wasting your precious time and resources. Contact netfabb today and visit www.netfabb.com/netfabbcloud

